



# Fantech

## SER 11504N

### Light Commercial ERV



The SER Series lowers demand on air conditioning systems. Air supplied from outdoors enters through the Energy Recovery Core where it transfers the heat and humidity to the exhaust air. The air supplied by the SER is now cooler, dryer and more comfortable. The

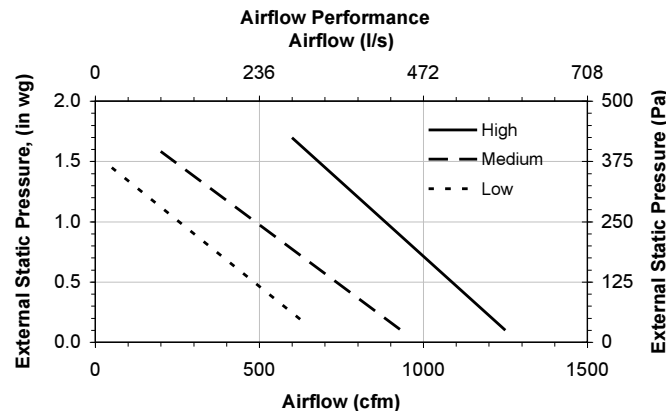
SER distributes the pre-conditioned fresh filtered air throughout the building by direct ductwork installed especially for the ERV or through the ductwork of a forced-air system.

#### APPLICATIONS INCLUDE:

- Class Room
- Retail Shops
- Hair Salon
- Bars & Restaurants
- Offices
- Clinics
- Animal Shelters
- Larger Homes

#### POWER & WEIGHT

- Volts 120V
- Amperage 10.8 Amps Total
- Weight 96Kg (212lbs)
- Shipping Weight 114Kg (252lbs)
- Blowers (x4) 120V, 60 Hz, 2.7 Amps
- Phase Single



#### SPECIFICATIONS

**CASE** 20 gauge G90 galvanized steel sheet coated with baked powder paint, insulated with 25mm (1 inch) foil-faced high density polystyrene foam for condensation control.

**BLOWERS** Four (4) maintenance-free Ebm-Papst™ backward inclined motorized impellers with permanently lubricated sealed ball bearings and (TOP) thermal overload protected.

**CORES** Three (3) modular energy recovery cores manufactured from a flame-proof/Polyester-based synthetic paper designed to transfer sensible and latent heat. During winter, the core transfers heat and moisture from the outgoing air to the incoming fresh air. While in summer core transfers heat and moisture from the incoming air to the outgoing air to reduce the latent load.

**FILTERS** The exhaust and fresh air streams are protected by MERV1 washable filters constructed to meet UL Class2. Optional MERV6 filters are direct replacement to the MERV1. Use of MERV6 filters will add an additional system pressure of 72 Pa (0.29in.wg) at 543 l/s (1150cfm).

**MOUNTING** Brackets are included for mounting using threaded rod. Unit may also be seated on a platform. Flanges are provided to simplify ductwork connections.

**CONTROLS** External three (3) position (Low/Stand By/Medium) rocker switch that will offer continuous ventilation. Compatible with all Fantech ERV controls.

**SERVICEABILITY** Unit has hinged or screwed access panels on front and back of the unit. Cores, filters, and motors are serviceable from either sides of the unit. Fan assemblies are mounted on removable sliding base. Energy recovery cores conveniently slide out with only 380mm (22.6") clearance for ease of inspection, removal and cleaning. Electrical box can be installed on either side of the unit for improved accessibility.

**Note:** This model is not recommended for climates that experience temperature below -5°C (23°F) for extended periods of 2 or more days.

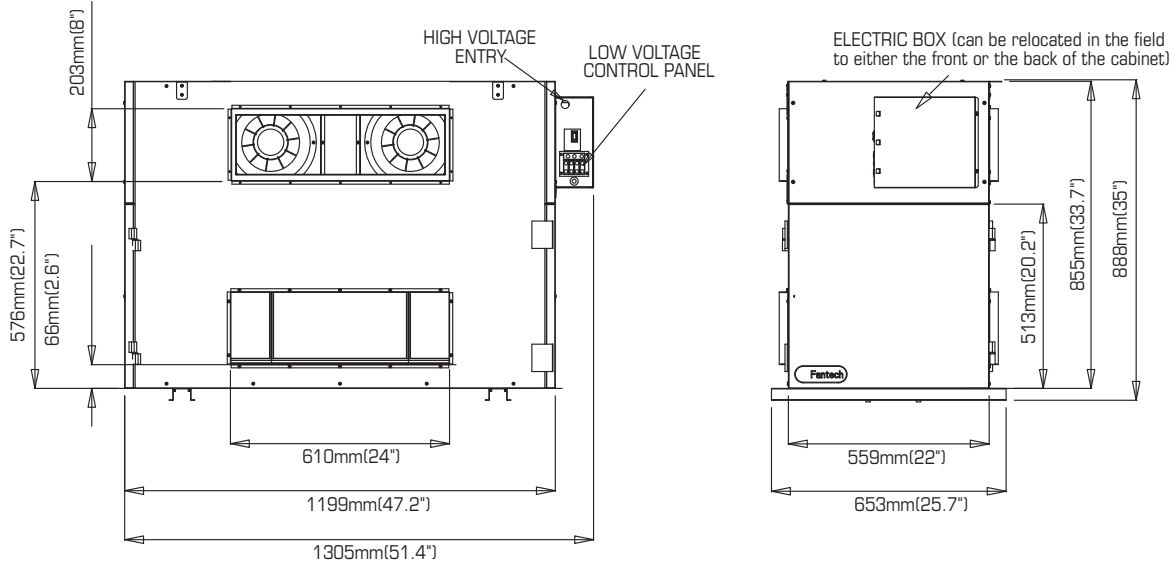


#### NET EFFECTIVENESS

Flow l/s (CFM)	Heating			Cooling		
	Sensible (%)	Latent (%)	Total (%)	Sensible (%)	Latent (%)	Total (%)
406 (860)	62%	29%	49%	50%	28%	36%
543 (1150)	53%	22%	41%	42%	21%	29%

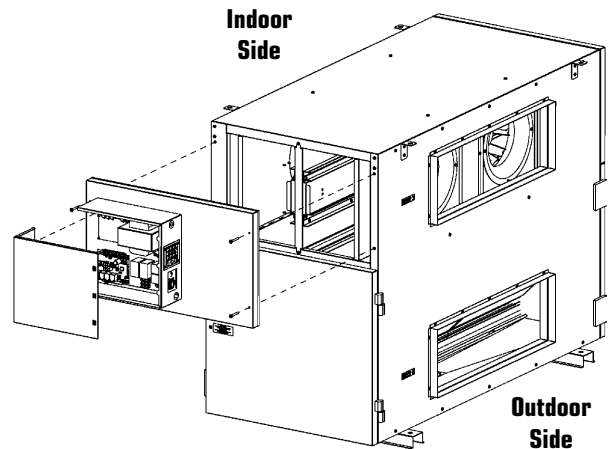
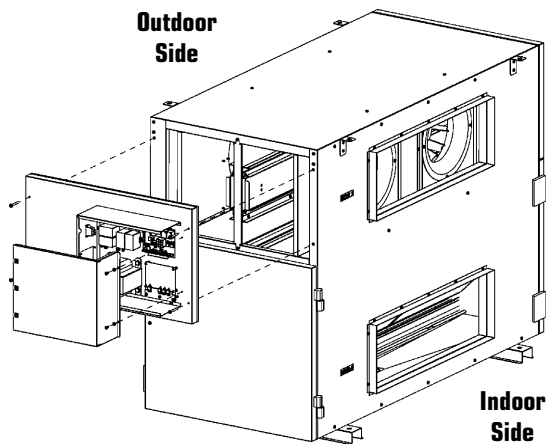
# SER 11504N Commercial ERV

## Dimensions

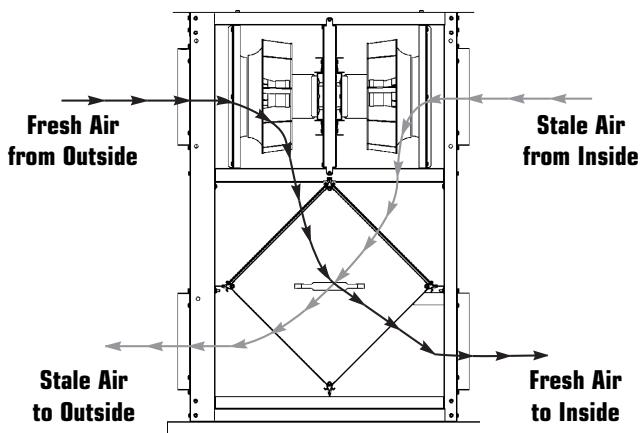


## PORT CONFIGURATION

The unit has access doors on the front and back. Also, the main control panel may be moved from front to back allowing for ducting layout.



Factory Setting. Unit may be easily reversed in field.



# Fantech

United States

10048 Industrial Blvd. • Lenexa, KS. 66215  
 (T) 1.800.747.1762 • (F) 1.800.487.9915  
 (T) 1.913.752.6000 • (F) 1.913.752.6466  
[www.fantech.net](http://www.fantech.net) • [info@fantech.net](mailto:info@fantech.net)

Canada

50 Kanalfakt Way, Bouctouche, NB E4S 3M5  
 (T) 1.800.565.3548 • (F) 1.877.747.8116  
 (T) 1.506.743.9500 • (F) 1.506.743.9600  
[www.fantech.net](http://www.fantech.net) • [info@fantech.net](mailto:info@fantech.net)

Fantech, reserves the right to modify, at any time and without notice, any or all of its products' features, designs, components and specifications to maintain their technological leadership position.